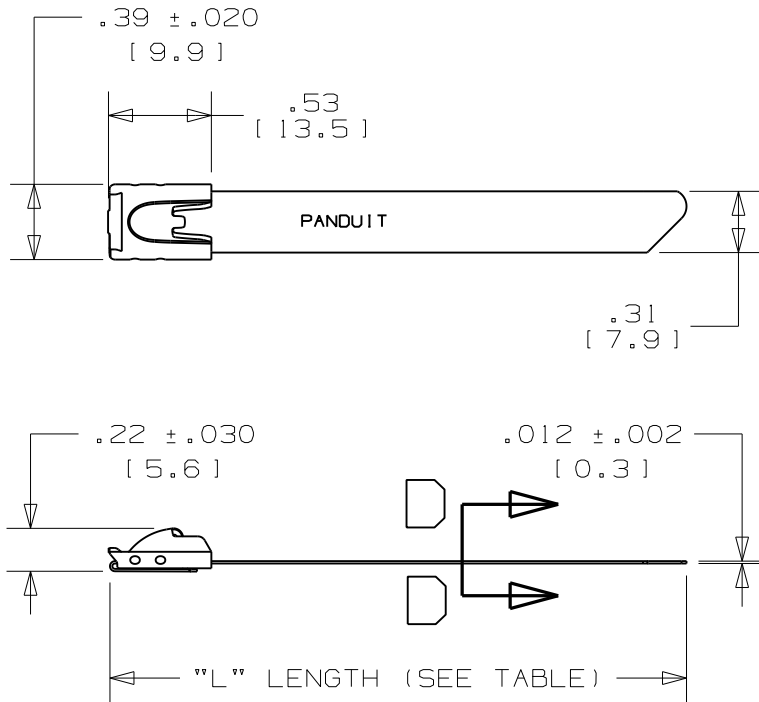


THIS COPY IS PROVIDED ON A RESTRICTED BASIS AND IS NOT TO BE USED IN ANY WAY DETRIMENTAL TO THE INTERESTS OF PANDUIT CORP.



PART NUMBER	COLOR	PKG QTY	MAX BUNDLE	LENGTH
MLT1H-LPALBL	BLACK	50	1" (25mm)	5.5" (140mm)
MLT2H-LPALBL	BLACK	50	2" (51mm)	7.9" (201mm)
MLT4H-LPALBL	BLACK	50	4" (102mm)	14.3" (362mm)
MLT1H-LPALRD	RED	50	1" (25mm)	5.5" (140mm)
MLT2H-LPALRD	RED	50	2" (51mm)	7.9" (201mm)
MLT4H-LPALRD	RED	50	4" (102mm)	14.3" (362mm)
MLT1H-LPALYL	YELLOW	50	1" (25mm)	5.5" (140mm)
MLT2H-LPALYL	YELLOW	50	2" (51mm)	7.9" (201mm)
MLT4H-LPALYL	YELLOW	50	4" (102mm)	14.3" (362mm)
MLT1H-LPALGR	GREEN	50	1" (25mm)	5.5" (140mm)
MLT2H-LPALGR	GREEN	50	2" (51mm)	7.9" (201mm)
MLT4H-LPALGR	GREEN	50	4" (102mm)	14.3" (362mm)
MLT1H-LPALBU	BLUE	50	1" (25mm)	5.5" (140mm)
MLT2H-LPALBU	BLUE	50	2" (51mm)	7.9" (201mm)
MLT4H-LPALBU	BLUE	50	4" (102mm)	14.3" (362mm)

- NOTES:
1. APPLICATION TOOLS - ST2MT, HTMT
  2. MINIMUM LOOP TENSILE STRENGTH: 50LBS (220 N) WHEN TESTED ON A 1.5" MANDREL
  3. BRACKETS [ ] DENOTE DIMENSIONS IN MILLIMETERS, AND ARE SHOWN FOR REFERENCE ONLY
  4. MATERIAL - ALUMINUM

BROKEN EDGES TO ELIMINATE SHARPNESS

SECTION D-D  
SCALE 4:1

					PANDUIT CORP. TINLEY PARK, ILLINOIS			
					METAL LOCKING TIE HEAVY SERIES - ALUMINUM CUSTOMER DRAWING			
03A	2/12	MIM	RGRO	NOTE #3 METRIC DIMENSIONS NOTED AS BEING SHOWN FOR REFERENCE ONLY	UNLESS OTHERWISE SPECIFIED, DIMENSIONAL TOLERANCES ARE: (.XX) _+.020    (.XXXX) _+ (.XXX) _+.010    ANGLES ±2			UNLESS OTHERWISE SPECIFIED, ALL DIMENSIONS ARE GIVEN IN INCHES, THIRD ANGLE PROJECTION.
02	6/07	JAMB	ROL	REORIENTATE ALL VIEWS TO CORRECT POSITION ADDED MATERIAL THICKNESS TO DRAWING	-----	DRAWN BY MIM		SCALE FULL
01	10/06	MIM	ROL	1-ADDED PANDUIT LOGO TO BODY 2-ADDED "P" LOGO TO HEAD	SS00238	DATE 6/12/07		
00	6/12/07	MIM	SKB	RELEASED FOR PRODUCTION	SS00221	DATE 6/12/07		DRAWING NO. N41271BS_DC
REV	DATE	BY	CHK	DESCRIPTION	ECN #	CHK'D SKB		